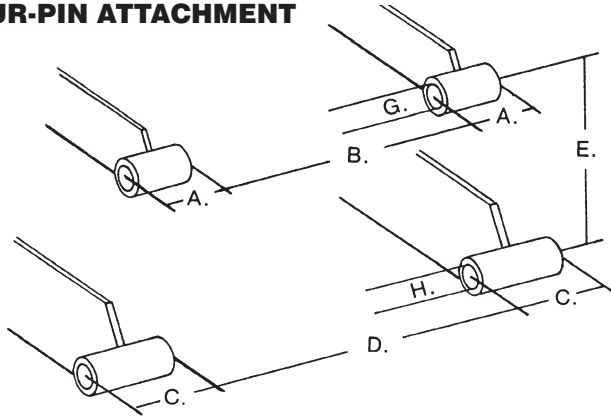


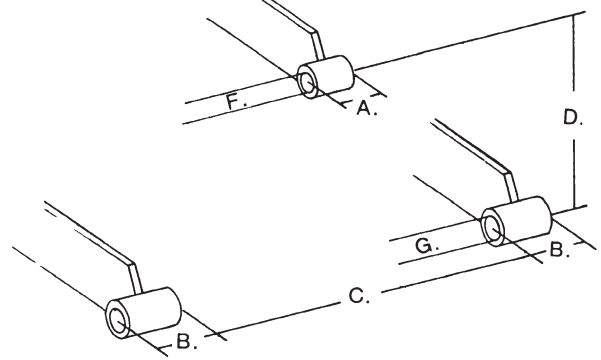
BUD ROBERTS CO., INC.

LOADER DIMENSIONS REQUIRED TO BUILD FORK ASSEMBLY

FOUR-PIN ATTACHMENT



THREE-PIN ATTACHMENT



Please list all dimensions in inches

A. _____ Length of hub

B. _____ Distance between hub

C. _____ Length of hub

D. _____ Distance between hub

E. _____ Distance between hub (center to center)

F. _____ Length of offset (if any) bucket level

G. _____ Pin diameter

H. _____ Pin diameter

A. _____ Length of hub

B. _____ Length of hub

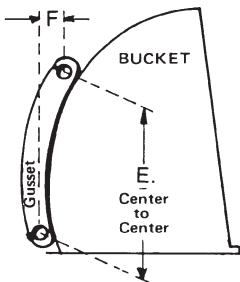
C. _____ Distance between hub

D. _____ Distance between hub

E. _____ Length of offset (if any) bucket level

F. _____ Pin diameter

G. _____ Pin diameter



Customer Name _____

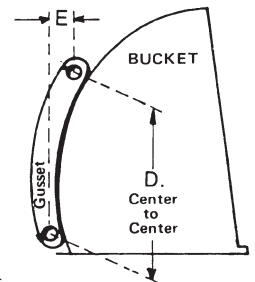
Phone Number _____

Do you have grease fittings in your bucket pins? Yes No

LOADER MAKE _____

LOADER MODEL NO. _____

LOADER SERIAL NO. _____



Bud Roberts Co., Inc.

3027 Summer Oak Place • Buford, GA 30518-0401

Office (800) 955-8288 (678) 546-8691 • Fax (678) 546-8692

E-mail: sales@budrobertsco.com